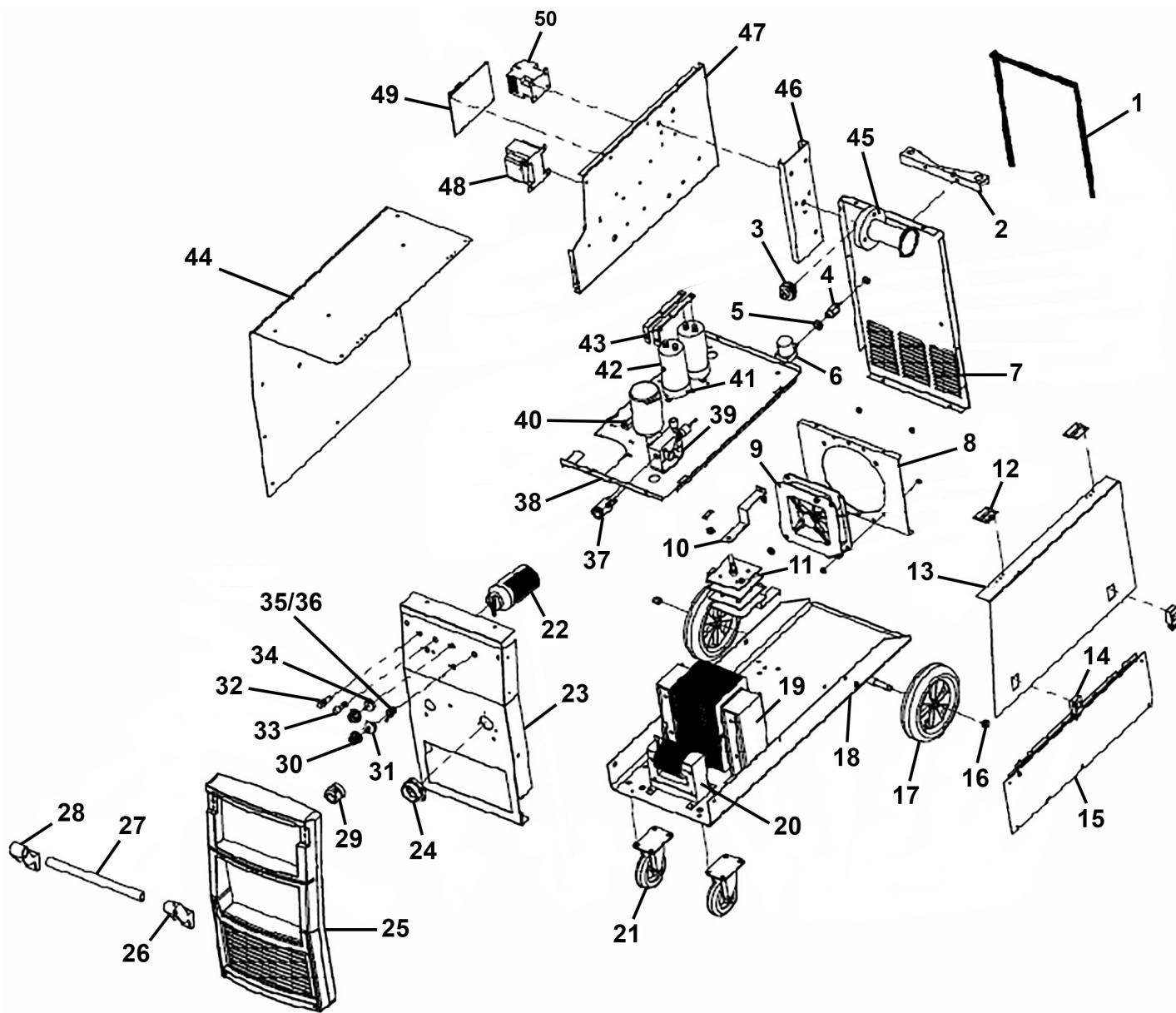


Parts Information:
**Professional MIG Welder 270Amp 230V
 with Binzel® Euro Torch
 Model No: SUPERMIG275.V2**



Item	Part No.	Description
1	SMIG275.01	Chain
2	SMIG275.02	Cylinder Support
3	SMIG275.03	Cable Gland
4	SMIG275.04	Gas Connector
5	SMIG275.05	Copper Nut
6	SMIG275.06	Electro-Valve

Item	Part No.	Description
7	SMIG275.07	Rear Panel
8	SMIG275.08	Fan Mounting Panel
9	SMIG275.09	Fan
10	SMIG275.10	Metal Support
11	SMIG275.11	Rectifier (Single Phase)
12	SMIG275.12	Plastic Hinge

NOTE: It is our policy to continually improve products and as such we reserve the right to alter data, specifications and component parts without prior notice.

IMPORTANT: No liability is accepted for incorrect use of product.

WARRANTY: Guarantee is 12 months from purchase date, proof of which will be required for any claim.



Parts Information:
**Professional MIG Welder 270Amp 230V
with Binzel® Euro Torch
Model No: SUPERMIG275.V2**

Item	Part No.	Description
13	SMIG275-V2-13	Upper Side Panel, Right
14	SMIG275.14	Door Lock
15	SMIG275-V2-15	Lower Side Panel, Right
16	SN10.SD	Steel Nut M10 Domed
17	SMIG275.17	Wheel,Fixed (D:205 W:40 B:12)
18	SMIG275.18	Bottom Panel
19	SMIG275.19	Transformer
20	SMIG275.20	Reactance
21	SMIG275.21	Wheel,Swivel Castor,4 Bolt (D:75 W:32 B:12 H:115)
22	SMIG275.22	Switch, Rotary c/w Knob (KDHCG-40A)
23	SMIG275-V2-23	Front Panel
24	SMIG275.24	Torch Holder
25	SMIG275.25	Front Frame
26	SMIG275.26	Handle Support, Right
27	SMIG275.27	Handle
28	SMIG275.28	Handle Support, Left
29	SMIG275.29	Quick Socket 'Eu Type'
30	PMIG3530.30	Knob, Potentiometer, Plastic, Chrome Top, Od: 27mm, 6mm Female Fitting (c/w Screw)
31	SMIG180.V3-08	Potentiometer (c/w Switch)
32	SMIG275.32	Indicator Light (Green)
33	SMIG275.33	Indicator Light (Yellow)
34	SMIG180.V3-06	Potentiometer
35	SMIG275.35	Switch, On/Off Toggle 16A 250V
36	PMIG3530.24	Grip
37	SMIG275.37	Copper Head for Quick Socket

Item	Part No.	Description
38	SMIG275.38	Middle Panel 'A'
39	PMIG3530.41	Drive Motor (Internal 24V)
--	M/MIG210.24A	Wire Feed Roller (0.9-1.0mm)
--	SMIG275.52	Wire Feed Roller (0.6-0.8mm)
--	PMIG3525.44A	Wire Feed Roller (1.0-1.2mm)
40	SMIG275.40	Resistor
41	SMIG275.41	Clamp for Capacitor
42	SMIG275.42	Capacitor
43	SMIG275.43	Connect Bar
44	SMIG275-V2-44	Side Panel, Left
45	SMIG275.45	Spool Holder
46	SMIG275.46	Spool Holder Support
47	SMIG275.47	Middle Panel 'B'
48	SMIG275.48	Control Transformer
49	SMIG275.49	PCB, Main Control Board, 162 x 120mm
50	SMIG275.50	AC Contactor
--	MIG/T25	Mig Torch 3M Euro Connector MB25
--	SMIG275.52	Wire Feeder Roller 0.6-0.8mm
--	SMIG275.53	Wire Feeder Roller 0.8-1.0mm
--	MIG920	Contact Tip 1.6mm TB25/36 Pack of 5
--	MIG923	Contact Tip 1.6mm Aluminium TB25/36 Pack of 5
--	MIG/GH	Hose, Gas Per Metre (5mm Id Black Nylon Hose)

NOTE: It is our policy to continually improve products and as such we reserve the right to alter data, specifications and component parts without prior notice.

IMPORTANT: No liability is accepted for incorrect use of product.

WARRANTY: Guarantee is 12 months from purchase date, proof of which will be required for any claim.

Sealey Group, Kempson Way, Suffolk Business Park, Bury St Edmunds, Suffolk. IP32 7AR



01284 757500



01284 703534



sales@sealey.co.uk



www.sealey.co.uk